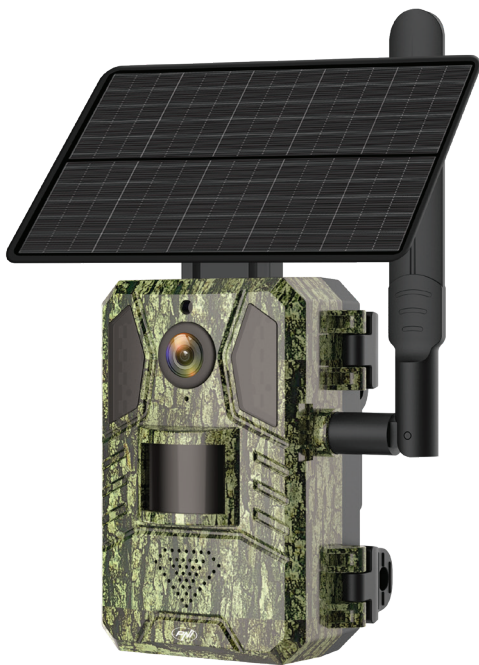
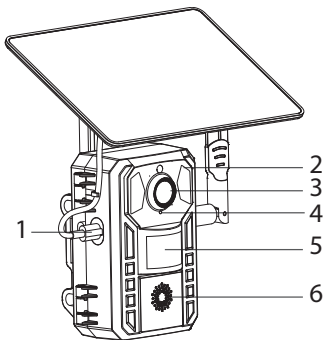


PNI Hunting 751 PRO

Camouflage video surveillance camera



Product diagram



1. USB-C charging port. Red LED, the battery is charging. Green LED, the battery is charged.

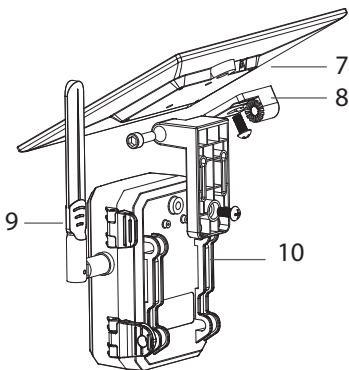
2. IR LEDs

3. Lens

4. Microphone

5. PIR sensor

6. Loudspeaker

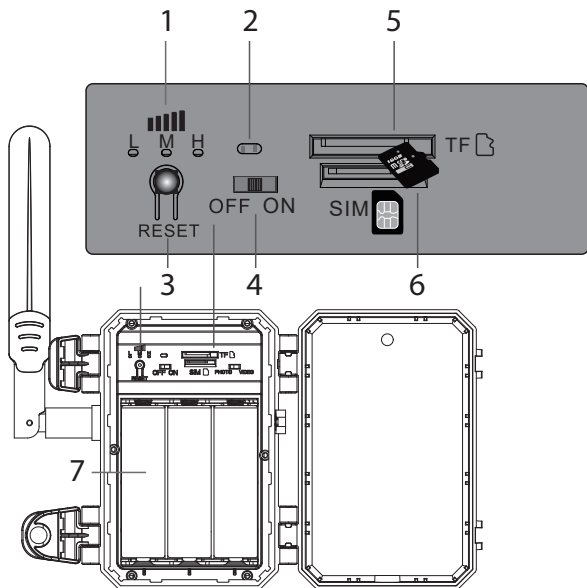


7. Solar panel

8. Mounting bracket

9. Antenna

10. Strap mounting bracket



1. GSM 4G signal indicator: red LED (weak signal), blue LED (medium signal), green LED (strong signal).
2. LED status indicator. Red LED, after starting the camera. Blue LED, the camera can be added to the application.
3. Reset button. Press for 3 seconds to reset the camera and enter pairing mode. The voice prompt “System reset” is heard, the blue LED flashes and then stays on.
4. On/off button

5. Micro SD card slot
6. SIM card slot
7. 18650 batteries pack

Control from the UCon application

Download the UCon application (Android, iOS) by scanning the attached QR code:

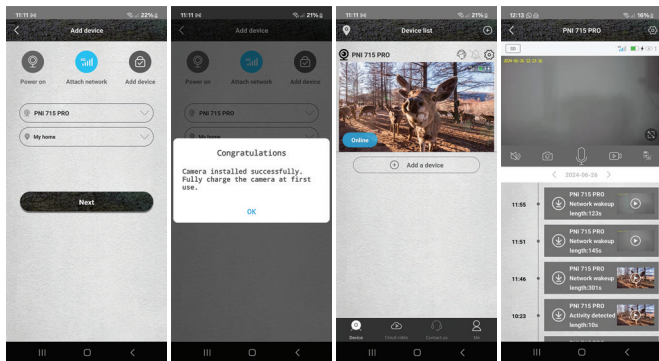
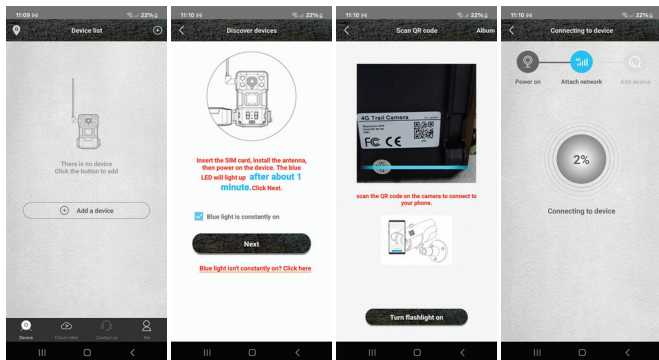


1. Activate the Location and Bluetooth function.
2. Connect the antenna and insert a micro SD card and a nano SIM card into the camera. Make sure the battery is charged.
3. Turn on the surveillance camera. You can add the camera to the app when the blue LED lights up.
4. In the application's main interface, press the "Add a device" button.
5. Scan the QR code on the camera label.
6. Tick the option "Blue light is constantly on". Press "Next".

7. After the camera has been added to the application, you can rename it.
8. After you have received the message “Camera installed successfully” you can control the camera from the application, wherever you are.

Options available in the application

- Manual registration
- Image captures
- Two-way communication
- View recordings
- Advanced settings: work mode selection, SD card management, PIR settings, recording settings, volume settings, etc.



Technical specifications

System	Linux + RTOS
Processor	Ingenic-T31ZX

Sensor	1/2.7" GC4653
Sensor resolution	4 MP
Video resolution	2560 x 1440/15fps 640 x 360/15fps
Photo resolution	4M/8M/16M
Video compression	H.265
Audio compression	AAC / G.726
GSM frequency	4G TD-LTE,TD-LTE / LTE FDD TD-LTE / LTE-FDD
SIM card	Nano SIM
Motion detection	PIR and AI (human shape detection)
Detection distance	0 - 12 meters
Detection angle	95°
IR LEDs	6 LED 940 nm
IR distance	up to 25 meters
Built-in speaker	3 W
Lens	3.6 mm
View angle	85°

Recordings storage	Micro SD card (max. 128 GB), the card is not included Cloud (for a fee)
Power supply	18650 battery pack 7800 mAh 3.7 V
Operating power consumption	2.5 W
Standby consumption	0.003 W
Solar panel	Monocrystalline 4 W
Working temperature	-26°C ~ 80°C
Operation modes	Video, Photo
Protection grade	IP66

Declaration of conformity

ONLINESHOP SRL declares that the PNI Hunting 751 PRO camouflage video surveillance camera complies with the RED Directive 2014/53/EU. The full text of the EU declaration of conformity is available at the following internet address:

<https://www.mypni.eu/products/10107/download/certifications>